

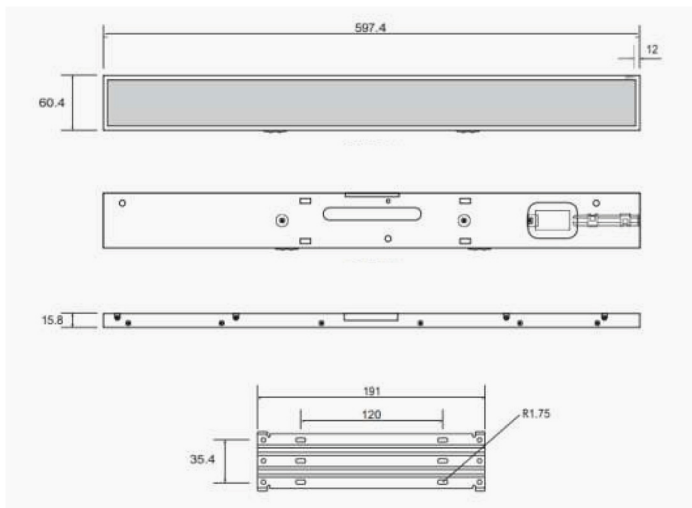
MICRODAIN

TAG LCD DISPLAY

23.1" DISPLAY



23.1" LCD Display Technical Details



Model	ET231A
Dimensions	597.4 x 60.4 x 15.8
Color	Black
Weight (g)	640
Display	ADS
Display Area (Inch)	23.1
Resolution (Pixel)	1920 x 158
Brightness (Nits)	400
Contrast Ratio	3000:1
Viewing Angle	178°/178°
Backlight	E-LED
Backlight Life (h)	>30,000
OS	Android
CPU	A40i, Quad-core CPU Cortex-A17
RAM	1GB
ROM	8GB
Communication	WiFi
I/O Interface	1x Micro USB, 1x TF Card, 1x DC
Operating Voltage	DC 12V
Power Consumption (W)	< 20
Operating Temperature (C)	0° - 50°
Operating Humidity (RH)	20% - 80%

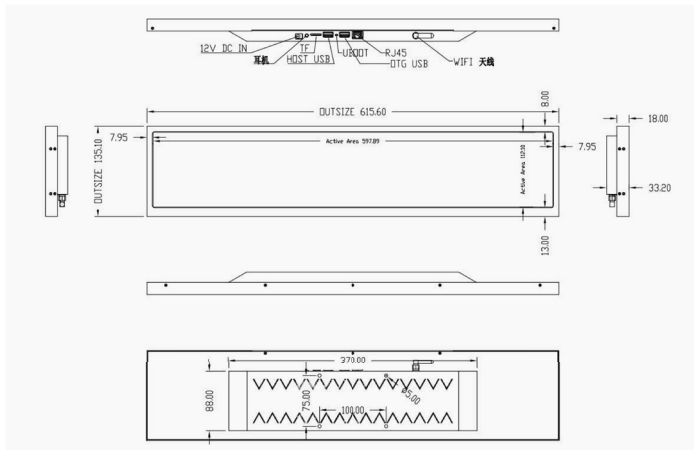
MICRODAIN

TAG LCD DISPLAY

24" DISPLAY



24" LCD Display Technical Details



Model	ET240B
Dimensions	615.6 x 135,1 x 33,2
Color	Black
Weight (g)	2450
Display	ADS
Display Area (Inch)	24
Resolution (Pixel)	1920 x 360
Brightness (Nits)	300
Contrast Ratio	1200:1
Viewing Angle	178°/178°
Backlight	E-LED
Backlight Life (h)	>30.000
OS	Android
CPU	A40i, Quad-core CPU Cortex-A7, 1,2 G
RAM	1GB
ROM	8GB
Communication	WiFi
I/O Interface	1x USB OTC, 1x USB Host, 1x RJ45 1x TF Card, 1x Reset, 1x Earphone, 1x DC
Operating Voltage	DC 12V
Power Consumption (W)	< 24
Operating Temperature (C)	0° - 50°
Operating Humidity (RH)	20% - 80%

MICRODAIN

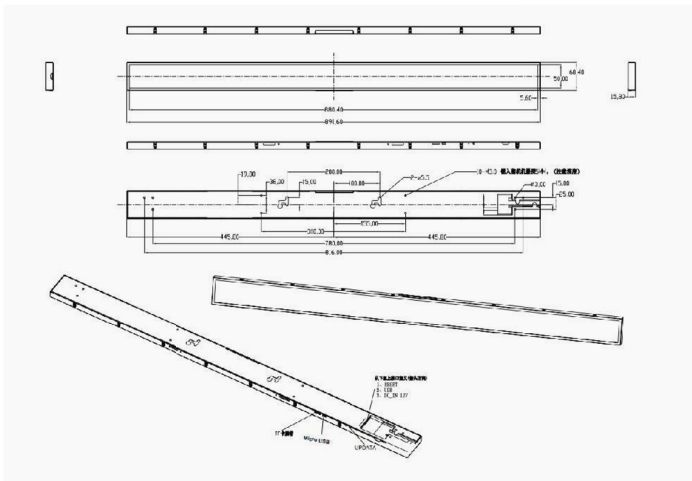
TAG LCD DISPLAY

35" DISPLAY



35" LCD Display Technical Details

Model	ET350A
Dimensions	891,6 x 60,4 x 15,8
Color	Black
Weight (g)	1050
Display	ADS
Display Area (Inch)	35
Resolution (Pixel)	2880 x 158
Brightness (Nits)	400
Contrast Ratio	3000:1
Viewing Angle	178°/178°
Backlight	E-LED
Backlight Life (h)	>30.000
OS	Android
CPU	T972 Quad-core CARM Cortex-A55x4
RAM	2GB
ROM	8GB
Communication	WiFi
I/O Interface	1x USB 2.0, 1x Micro USB, 1x TF Card 1x DCIN, 1x Reset
Operating Voltage	DC 12V
Power Consumption (W)	< 24
Operating Temperature (C)	0° - 50°
Operating Humidity (RH)	20% - 80%



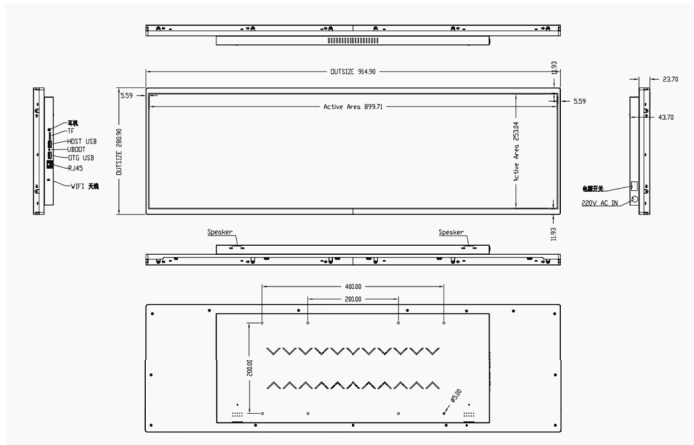
MICRODAIN

TAG LCD DISPLAY

37" DISPLAY



37" LCD Display Technical Details



Model	ET370B
Dimensions	914,9 x 280,9 x 43,7
Color	Black
Weight (g)	7810
Display	ADS
Display Area (Inch)	37
Resolution (Pixel)	1920 x 540
Brightness (Nits)	700
Contrast Ratio	1200:1
Viewing Angle	178°/178°
Backlight	E-LED
Backlight Life (h)	>30.000
OS	Android
CPU	A40i, Quad-core ARM, Cortex A7, 1,2G
RAM	1GB
ROM	8GB
Communication	WiFi
I/O Interface	1x HOST USB, 1x USB OTG, 1x TF Card 1x Earphone, 1x RJ45, 1x Reset
Operating Voltage	AC 100-240V, 50/60GHZ
Power Consumption (W)	< 50
Operating Temperature (C)	0° - 50°
Operating Humidity (RH)	20% - 80%

MICRODAIN

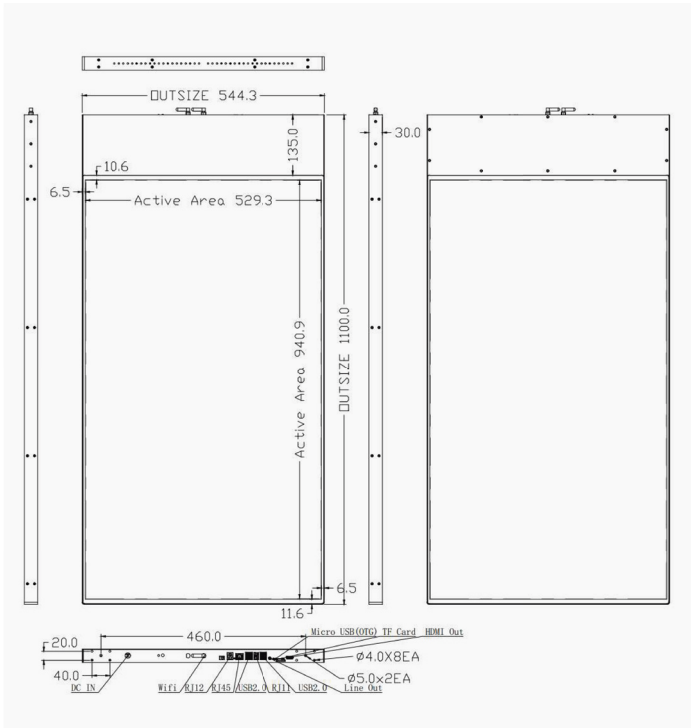
TAG LCD DISPLAY

43" DISPLAY



43" LCD Display Technical Details

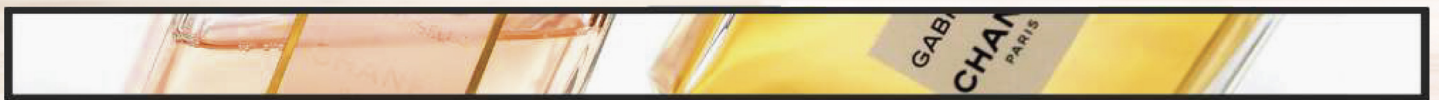
Model	ET430C-D
Dimensions	1100 x 544,3 x 30
Color	Black
Weight (g)	2100
Display	ADS
Display Area (Inch)	43
Resolution (Pixel)	1080 x 1920
Aspect Ratio	9:16
Brightness (Nits)	700/700
Contrast Ratio	1200:1
Viewing Angle	178°/178°
Backlight Life (h)	>30.000
OS	Android
CPU	RK3288,Quad-Core ARM Cortex A17
RAM	1GB
ROM	8GB
Communication	WiFi
I/O Interface	1x DCIN, 1x RJ11, 1x RJ12, 1x RJ45, 2x USB 2.0 1x MicroUSB, 1x LineOut, 1x TF Card, 1x SimCard
Operating Voltage	AC 100-240V, 50/60HZ
Power Consumption (W)	< 150
Operating Temperature (C)	0° - 50°
Operating Humidity (RH)	20% - 80%



MICRODAIN

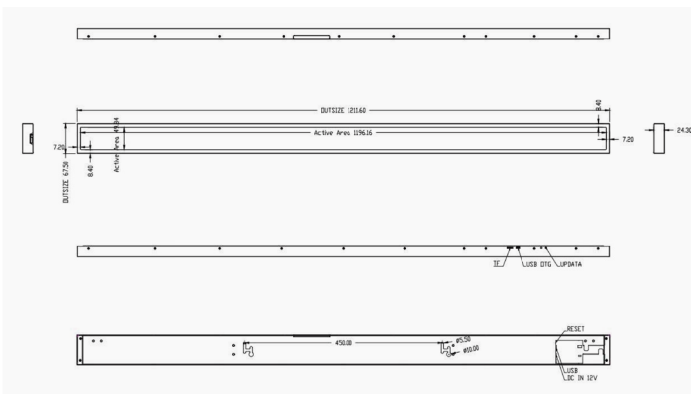
TAG LCD DISPLAY

47.1" DISPLAY



47.1" LCD Display Technical Details

Model	ET471A
Dimensions	1211,6 x 67,5 x 24,3
Color	Black
Weight (g)	2720
Display	ADS
Display Area (Inch)	47,1
Resolution (Pixel)	3840 x 160
Brightness (Nits)	500
Contrast Ratio	1000:1
Viewing Angle	178°/178°
Backlight	E-LED
Backlight Life (h)	>30.000
OS	Android
CPU	T972 Quad-core CARM Cortex-A55x4
RAM	2GB
ROM	8GB
Communication	WiFi
I/O Interface	1x USB 2.0, 1x USB OTC, 1x TF Card 1x DCIN, 1x Reset
Operating Voltage	DC 12V
Power Consumption (W)	< 24
Operating Temperature (C)	0° - 50°
Operating Humidity (RH)	20% - 80%



MICRODAIN

TAG LCD DISPLAY

47.6" DISPLAY



47.6" LCD Display Technical Details

Model	ET476B
Dimensions	1201,44x251,42x38
Color	Black
Weight (g)	7150
Display	ADS
Display Area (Inch)	47,6
Resolution (Pixel)	1920x360
Brightness (Nits)	700
Contrast Ratio	1200:1
Viewing Angle	178°/178°
Backlight	E-LED
Backlight Life (h)	>30.000
OS	Android
CPU	A40i, Quad-core, Main frequency up to 1.2GHz
RAM	1GB
ROM	8GB
Communication	WiFi
I/O Interface	1x HOST USB (Type A), 1x USB OTG, 1x Earphone, 1x RJ45, 1x TF Card
Operating Voltage	AC 100-240V, 50/60GHZ
Power Consumption (W)	< 98
Operating Temperature (C)	0° - 50°
Operating Humidity (RH)	20% - 80%

